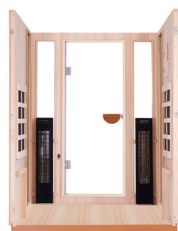


# Full Spectrum Sanctuary Outdoor 2 by Clearlight®



## Features

### Therapeutic Far Infrared Heaters

Clearlight's exclusive True Wave Far Infrared heaters are the only patented low EMF heaters on the market. True Wave combination carbon/ceramic low EMF / low ELF heaters surround you in healing infrared heat.

### True Wave™ Full Spectrum Heaters

Our full spectrum infrared heaters deliver over 20 times the power of the nearest leading competitor. Our patented heating system allows for the deepest penetration with peak performance for the best results.

### Doctor Designed Ergonomic Bench

Relax in comfort in your sauna with our reversible bench.

### Built For The Outdoors

Cedartec® exterior finish for durable outdoor use and Mahogany interior for that true sauna feel.

### Charging and Audio Station

Charge your tablet or smartphone inside the sauna and connect your favorite audio device with Bluetooth or the included MP3 jack.

### Built-in Ergonomic Backrest

Relax close to the soothing infrared heat against the Chiropractor designed built-in ergonomic backrest.

### Exclusive Under Floor Foot Heater

All Clearlight Outdoor Saunas include a heater underneath the wood-effect non VOC floor to enhance your sauna.

### Combination Door Handle/Tablet Cradle For Easy Media Viewing

Place your tablet on the door handle for easy viewing of your favorite shows or movies.



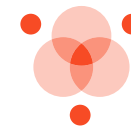
### Enhanced Audio Sound System

Bluetooth and AUX inputs makes it easy to connect and listen to your audio devices.



### Digital Keypad Controls

Digital keypad controls temperature, time, lights, heater intensity and reservation mode.



### Chromotherapy

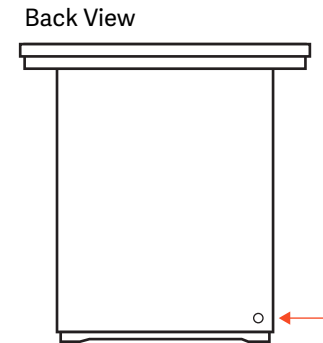
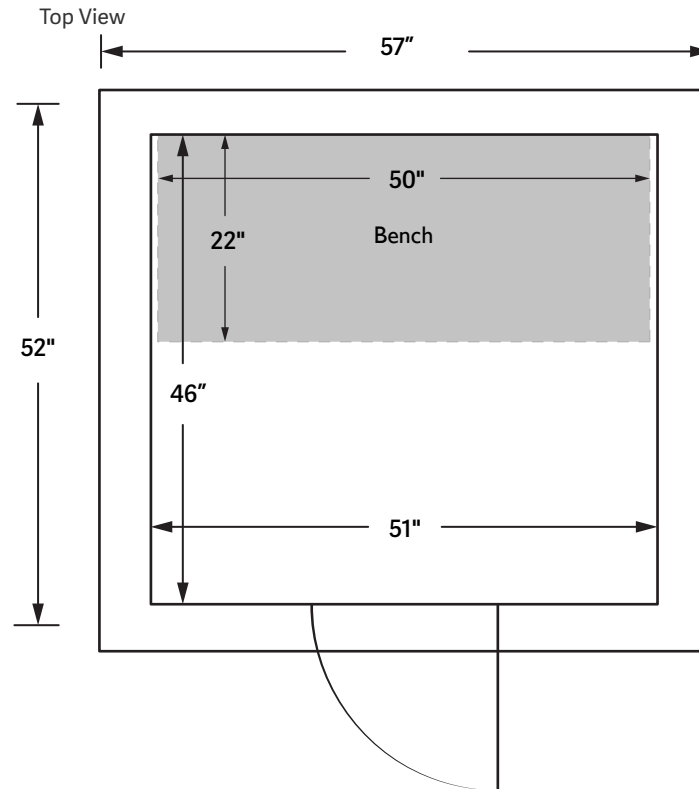
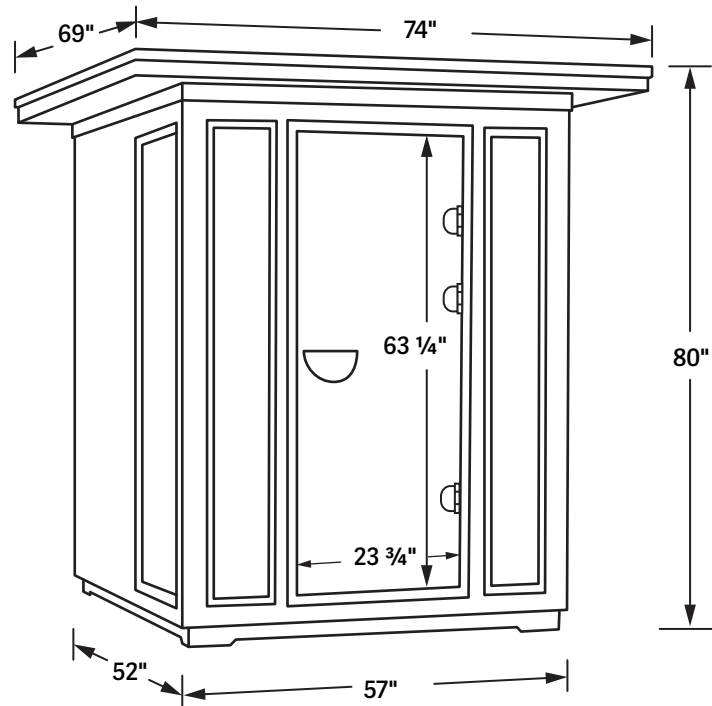
Your Sanctuary sauna comes upgraded with our therapeutic Chromotherapy. Choose from one of twelve colors or auto-cycle through all color tones.



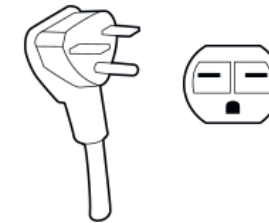
### Smart Device Control (Optional)

Log in from your smart device and remotely operate your sauna.

# Full Spectrum Sanctuary Outdoor 2 by Clearlight®



Power cord is located on the back of the sauna, six inches off the ground and is approximately six feet long.



240V / 15amp Electrical Circuit Required  
NEMA 6-15p

## Specifications

### Construction

Gray Cedartec® Eco-Certified Exterior  
Mahogany Interior  
Tongue & Groove Construction  
Weight: 765 lbs  
Rated: IPX 4

### Exterior

Width: 57" \*  
Depth: 52" \*  
Height: 80"  
\* Roof Cap: 74" x 69"  
Roof Overhang: 8 1/2"  
Door: 63 1/4" X 23 3/4"

### Interior

Width: 51"  
Depth: 46"  
Height: 71 1/2"  
Bench: 50" x 22"

### Heaters

True Wave™ Far Infrared and  
Full Spectrum Infrared Heaters  
Power: 240V / 2,480W / 15A

### Limited Lifetime Warranty on Components 5 Years on the Cabin 5 Years Commercial Warranty

Heaters: Lifetime  
Electrical Controls: Lifetime  
Cabinetry & Glass: 5 Years



**Attention: Concrete or wooden foundation is needed as a base when placed outside. Make sure largest panel can fit through all access points from location entrance to sauna set up location**

# Full Spectrum Sanctuary Outdoor 2 by Clearlight®

Individual panel sizes laying flat in inches

Panel	Length	Width	Height
Roof	51 ½	56 ¾	3 ½
Floor	49	54 ¼	3 ¼
Left Side	71 ¼	46 ½	4
Right Side	71 ½	46 ½	4
Back Wall	71 ½	56 ½	5
Front Wall	71 ½	56 ½	3
Overhang	68 ¼	73	3 ¾

## Electrical Wire Requirements:

15 amp saunas are 14 AWG

Single phase / 3 wire: 2 x live/ground - for 240v



**Attention: Make sure sauna is assembled on a level surface. Not recommended for use where temperatures are regularly 40° F or below.**

## Additional Information

### Recommended Clearance

4" all around if enclosing

### Weather Precautions

1ft Snow limit, Wind Rating 35 MPH

### Bench Weight Limit

350 lbs per person

### Add On

- Can't have both upgrade heater and Red Light simultaneously.

### Cover Included

- Includes an outdoor sauna cover for weather protection.

### Surface Requirements

It is necessary to place sauna on a raised platform to ensure no water pools under it.

## Additional Build Information

### Roof Information

- Roof cap is 4" deep (top to bottom). The slope inside the roof is 15mm. The overhang at the back is 9"
- Height of the unit without the roof cap is 77 ¼" tall
- Top of roof is a silver color reflective roofing material
- From the floor to the bottom of the glass door is 6 ¼"

### Side Windows

16 ½" X 64 ½"

### Wall Thickness

2 ½"

### Insulation Thickness

1 ½"

### Bench Specifications

Fixed Bench Height: 20"