

# Full Spectrum Sanctuary 3 by Clearlight®



## Features

### Therapeutic Far Infrared Heaters

Clearlight's exclusive True Wave® Far Infrared heaters are the only patented low EMF full spectrum heaters on the market. True Wave combination carbon/ceramic low EMF / low ELF heaters surround you in healing infrared heat.

### True Wave® Full Spectrum Heaters

Our full spectrum near, mid and far infrared heaters deliver over 20 times the power of the nearest leading competitor. Our patented heating system allows for the deepest penetration with peak performance for the best results.

### Doctor Designed Ergonomic Bench

Relax in comfort with our reversible bench. The extra deep bench is ergonomic on one side and flat on the other for maximum comfort. The bench can be flipped at any time.

### Italian Inspired Design & Glass Roof

The open feel and beautiful design of your Sanctuary sauna will compliment every room.

### Beautiful Accent Lights

Energy efficient LED lights highlight the beauty of your sauna while providing gentle ambient lighting.

### Charging & Audio Station

Charge your smart device inside the sauna and connect your favorite audio device with Bluetooth or the included MP3 jack.

### Built-in Ergonomic Backrest

Relax close to the soothing infrared heat against the Chiropractor designed built-in ergonomic backrest.

### Combination Door Handle/Tablet Cradle For Easy Media Viewing

Place your tablet on the door handle for easy viewing of your favorite shows or movies.

### Exclusive Under Floor Foot Heater

All Clearlight Sanctuary Saunas include a heater underneath the wood floor to enhance your sauna session.



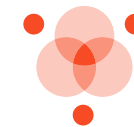
### Enhanced Audio Sound System

Bluetooth and AUX inputs makes it easy to connect and listen to your audio devices.



### Digital Keypad Controls

Digital keypad controls temperature, time, lights, heater intensity and reservation mode.



### Chromotherapy

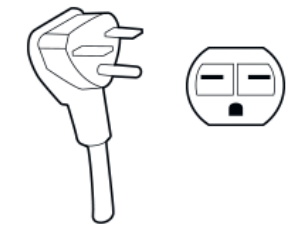
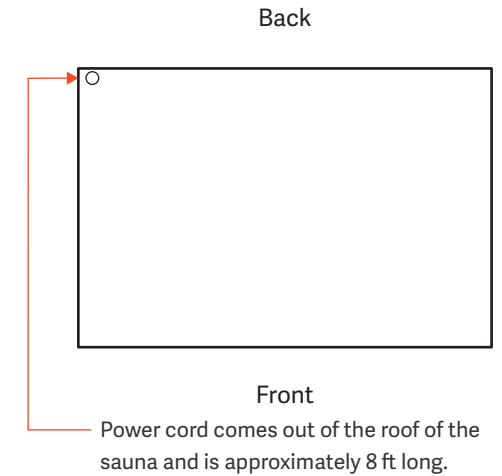
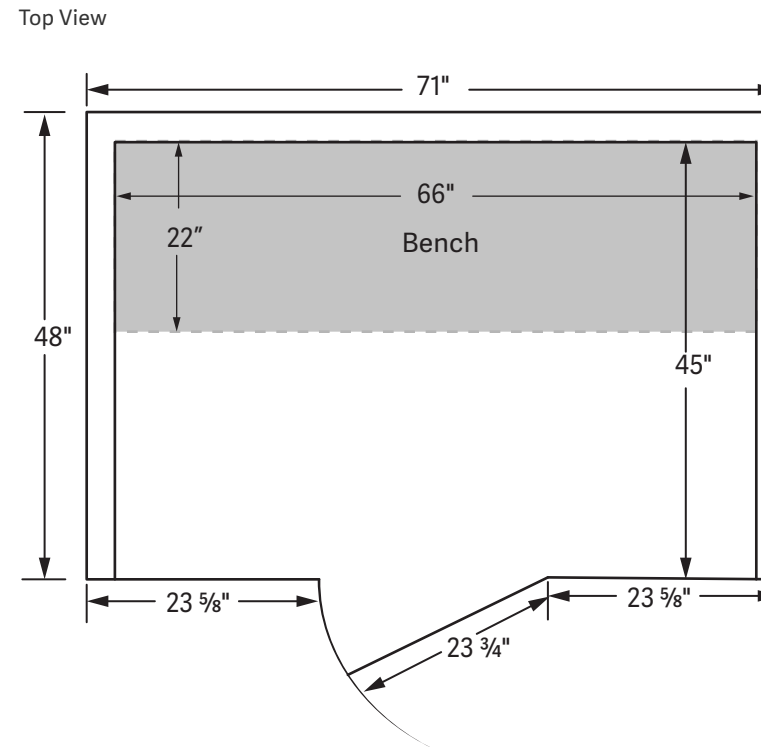
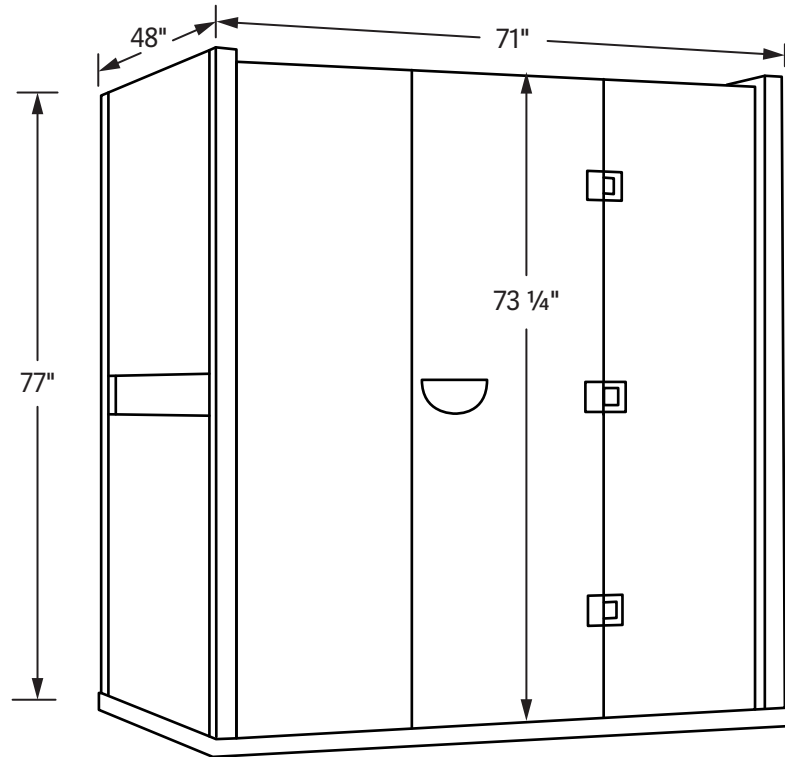
Your Sanctuary sauna comes upgraded with our therapeutic Chromotherapy. Choose from one of twelve colors or auto-cycle through all color tones.



### Smart Device Control (Optional)

Log in from your smart device and remotely operate your sauna.

# Full Spectrum Sanctuary 3 by Clearlight®



240V / 15 Amp Electrical Circuit  
Required NEMA 6-15p

## Specifications

### Construction

Eco-Certified wood choices:  
Mahogany Exterior/Interior  
Basswood Exterior/Interior  
Tongue & Groove Construction  
Weight: 580 lbs

### Exterior

Width: 71"  
Depth: 48"  
Height: 77"  
Door: 23 3/4" x 73 1/4"

### Interior

Width: 66"  
Depth: 45"  
Height: 74"  
Bench: 66" x 22"  
Bench Height: 20"

### Heaters

True Wave® Carbon/Ceramic  
Far infrared and full spectrum heaters  
Power: 240V / 2,800W / 12A

### Limited Lifetime Residential Warranty

Cabinetry & Glass  
Electrical  
Heaters  
Controls



Attention: Make sure largest panel can fit through all access points from location entrance to sauna set up location

# Full Spectrum Sanctuary 3 by Clearlight®

## Individual panel sizes laying flat in inches

Panel	Length	Width	Height
Roof	22 ¼	65 ¾	3
Floor	47 ¾	71	2 ½
Left Side	75 ½	47 ¼	4
Right Side	75 ½	47 ¼	4
Back Wall	75 ½	65 ¾	4 ¾

## Electrical Wire Requirements:

15 amp saunas are 14 AWG

20 amp saunas are 12 AWG

Single phase / 3 wire: 2 x live/ground - for 240v



**Attention: Make sure sauna is assembled on a level surface**

## Additional Information

### Recommended Clearance

4" all around if enclosing

### Glass Roof

W: 65 ½" D: 22 ½" H: 8mm

### Bench Weight Limit

350 lbs per person

### Add On

Can't have both upgrade heater and Red Light simultaneously

### Surface Requirements

Make sure sauna is assembled on a level surface