

# Full Spectrum Sanctuary Y by Clearlight®



## Features

### Therapeutic Far Infrared Heaters

Our exclusive True Wave® combination carbon/ceramic low EMF / low ELF heaters surround you in healing infrared heat.

### True Wave® Full Spectrum Heaters

Our full spectrum near, mid and far infrared heaters deliver over 20 times the power of the nearest leading competitor. Our patented heating system allows for the deepest penetration with peak performance for the best results.

### Two Removable Benches

Relax in comfort with two removable 34.5" benches or remove them for more freedom of movement.

### Italian Inspired Design & Glass Roof

The open feel and beautiful design of your Sanctuary sauna will compliment every room.

### Beautiful Accent Lights

Energy efficient LED lights highlight the beauty of your sauna while providing gentle ambient lighting.

### Built-in Charging & Audio Station

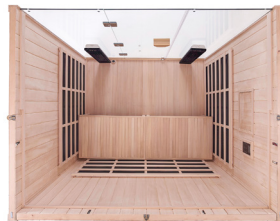
Charge your tablet or smartphone inside the sauna and connect your favorite audio device with Bluetooth or the included MP3 jack.

### Combination Door Handle/Tablet Cradle For Easy Media Viewing

Place your tablet on the door handle for easy viewing of your favorite shows or movies.

### Exclusive Under Floor Foot Heater

All Clearlight Sanctuary Saunas include a heater underneath the wood floor to enhance your sauna session.



### Enhanced Audio Sound System

Bluetooth and AUX inputs makes it easy to connect and listen to your audio devices.



### Digital Keypad Controls

Never Fail™ digital keypad controls temperature, time, lights, heater intensity and reservation mode.



### Color Light Therapy

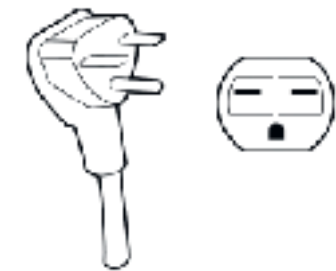
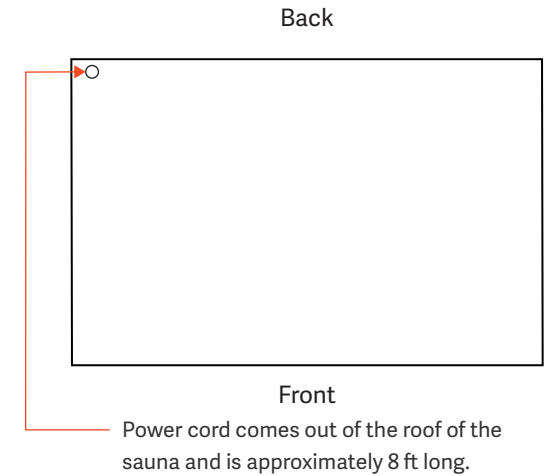
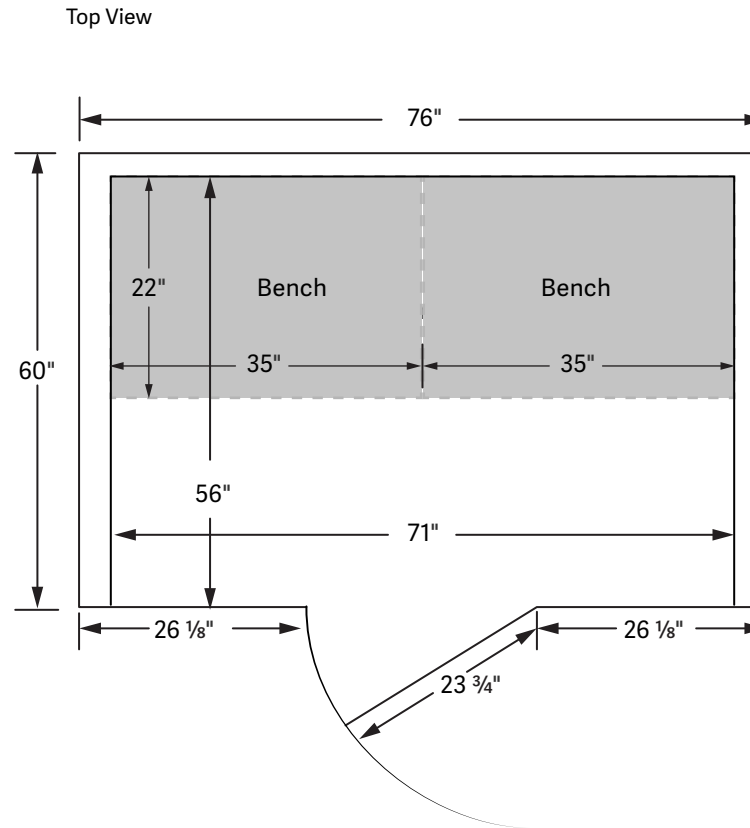
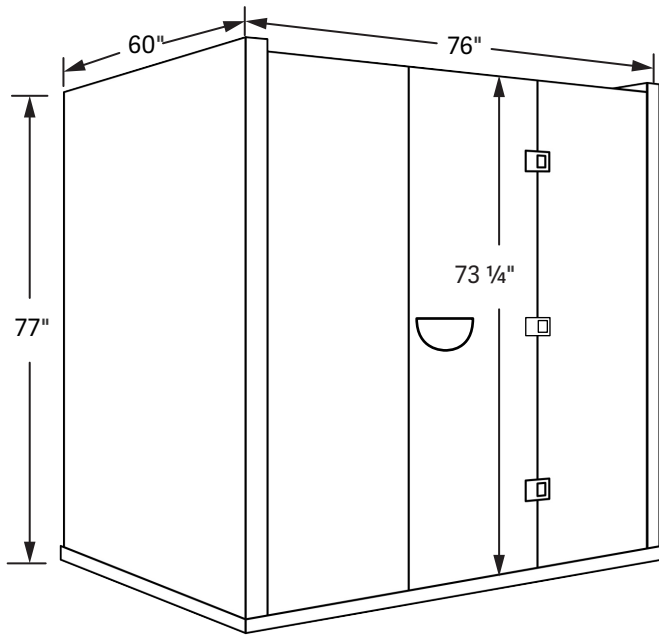
Your Sanctuary sauna comes standard with our healing Chromotherapy. Choose from one of twelve colors or auto-cycle through all color tones.



### Tablet / Smartphone Control (Optional)

Log in from your tablet or smartphone and remotely operate your sauna.

# Full Spectrum Sanctuary Y by Clearlight®



240V / 15 Amp Electrical Required NEMA 6-15p

## Specifications

### Construction

Eco-Certified wood choices:  
Mahogany Exterior/Interior  
Basswood Exterior/Interior  
Tongue & Groove Construction  
Weight: 715 lbs

### Exterior

Width: 76"  
Depth: 60"  
Height: 77"  
Door: 23 3/4" x 73 1/4"

### Interior

Width: 71"  
Depth: 56"  
Height: 74"  
Two Benches:  
35" x 22"  
Bench Height: 20"

### Heaters

True Wave® Carbon/Ceramic  
Far infrared and full spectrum heaters  
Power: 240V / 3,360W / 14A

### Limited Lifetime Residential Warranty

Cabinetry & Glass  
Electrical  
Heaters  
Controls



**Attention: Make sure largest panel can fit through all access points from location entrance to sauna set up location**

# Full Spectrum Sanctuary Y by Clearlight®

## Individual panel sizes laying flat in inches

Panel	Length	Width	Height
Roof	28 ¼	71 ½	3
Floor	59 ¾	76 ½	2 ½
Left Side	75 ½	59 ¼	3 ½
Right Side	75 ½	59 ¼	3 ½
Back Wall	75 ½	71 ½	3 ¼

## What gauge wire are our saunas?

Single Phase/ 3 wire: 2 x live/ground - for 240v



**Attention: Not Compatible with VRT**

## Additional Information

### Recommended Clearance

4" All Around if enclosing

### Glass Roof

W: 71 ½" D: 28 ⅛" H: 8mm

### Bench Weight Limit

Bench weight limit 250 lbs per bench

### Add On

- Can't have both upgrade heater and Red Light simultaneously.
- Not Compatible with VRT

### Surface Requirements

Make sure sauna is placed on a level surface.

## Add-Ons

If you purchase an upgrade heater or Red Light Therapy unit to place in your sauna, your electrical requirements change to the following required plug: **240V / 20Amp**  
**Electrical circuit required NEMA 6-20p.**

